



Sink - LISSÉ

Three-hole lavatory mixer with drain - Brushed Chrome

Article number: 20 713 845-93 0010

Date of manufacture from 3/9/2016



- 5-1/8" Projection
- US drain with overflow
- Rigid spout
- Round aerated stream
- Total height 3-3/4"
- Height to aerator/spout outlet 3"
- Valve hole diameter 1-1/4"
- Spout hole diameter 1-3/8"
- Flange diameter 1-7/8"
- Water flow rate limited to max. 1.2 gpm
- lead-free

Codes & Standards

- NSF/ANSI 372
- California Energy Commission (CEC)
- ASME A112.18.1/CSA B125.1
- NSF/ANSI/CAN 61
- ADA

- (ADA)
- Suitable only for basins with overflow.



Brushed Chrome



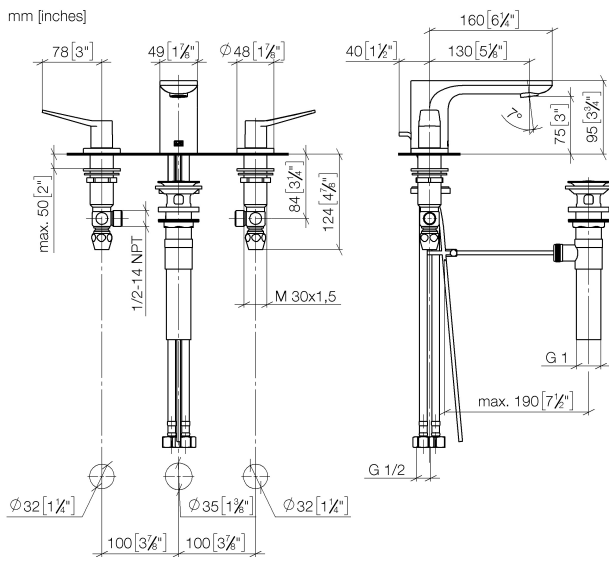
Sink - LISSÉ

Three-hole lavatory mixer with drain - Brushed Chrome

Article number: 20 713 845-93 0010

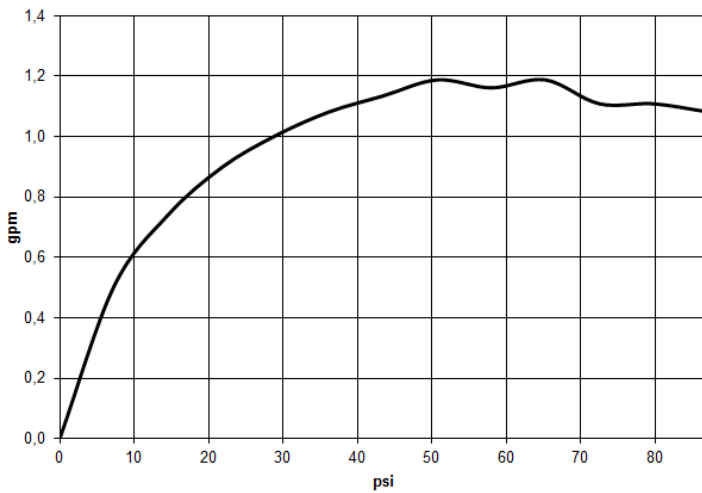
Date of manufacture from 3/9/2016

Dimensional drawing



All dimensions in mm / inch = mm x 0,0394

Flow rate chart





Sink - LISSÉ

Three-hole lavatory mixer with drain - Brushed Chrome

Article number: 20 713 845-93 0010

Date of manufacture from 3/9/2016

Other surface finishes



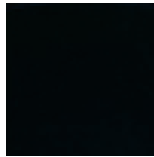
Chrome

20 713 845-00 0010



Brushed Platinum

20 713 845-06 0010



Black matte

20 713 845-33 0010

More custom finish options are available via special production (xTra Service). See our finish matrix for availability and pricing or contact a Dornbracht representative. Some series may be excluded and some finishes may not be available in all series.



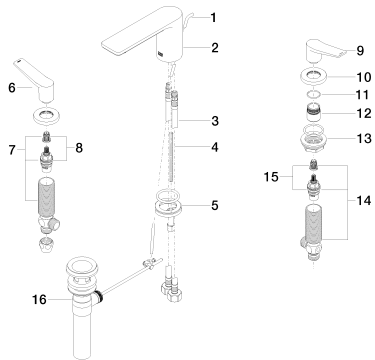
Sink - LISSÉ

Three-hole lavatory mixer with drain - Brushed Chrome

Article number: 20 713 845-93 0010

Date of manufacture from 3/9/2016

Spare parts list



Number	Item Number	Designation	Number of units
1	09 31 09 120-93	pull-rod	1
2	90 11 84 013 02-93	spout	1
3	04 30 04 019 00 90	hose	2
4	09 31 11 012 90	pin	1
5	04 30 11 038 75 90	fixing set	1
6	09 20 84 025-93	handle (hot)	1
7	04 17 11 055 51 90	side panel	1
8	90 90 03 151 00 90	top	1
9	09 20 84 024-93	handle (cold)	1
10	09 27 84 023-93	rosette	2
11	09 14 10 098 90	seal	2
12	09 18 40 206 90	ring	2
13	04 23 10 032 78 90	fixing set	2
14	04 17 11 055 50 90	side panel	1
15	90 90 03 150 00 90	top	1
16	04 11 01 023 00-93	Drain US 1 1/4" - Brushed Chrome	1