

Classic Console US-B15/US-T49
Classic Pedestal Basin US-B15/US-P6

Installation Instructions



Introduction

All parts have been fully inspected throughout the production process and only leaves our factory after a 15-step QC process. Carefully remove the items from the box and check that all parts have been supplied.

Installation should be completed by at least two suitably competent installers

Before beginning installation, please check for any damage that may have occurred during transport. **Note: Damage claims cannot be made during or after installation.**

Improper installation shall result in loss of warranty in case of damage caused by impacts or rubbing against rough surfaces.

Wall fixings are not supplied. Source fixings which are suitable to the site wall.

IMPORTANT: Please read these instructions carefully before beginning and retain for future reference.

We do not accept responsibility for any problems that may occur through incorrect installation.

Installation notes

The installation must comply with all plumbing codes including local codes and be installed by a licensed plumbing contractor.

Assemble the parts on a mat to protect against scratching the surface.

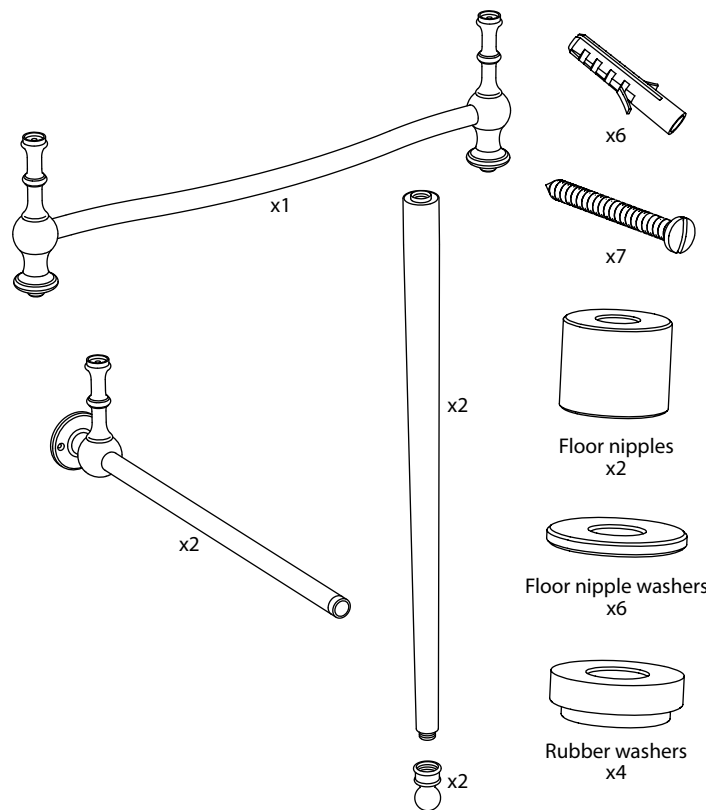
Avoid getting cement, grit, sand or masonry products on to the surface.

Protect and cover the basin during the installation period to prevent damage from occurring.

IMPORTANT: Turn off the main water supply before connecting to any existing pipework or doing any maintenance.

WARNING! Please check for any hidden pipes and cables, electric or otherwise, before drilling holes in a wall or floor.

Parts supplied - basin stand



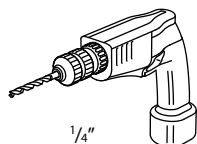
Tools required



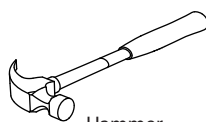
Tape measure



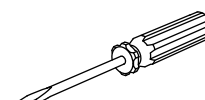
Safety glasses



1/4" drill



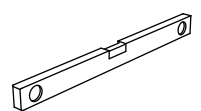
Hammer



Flat head screwdriver



Pencil

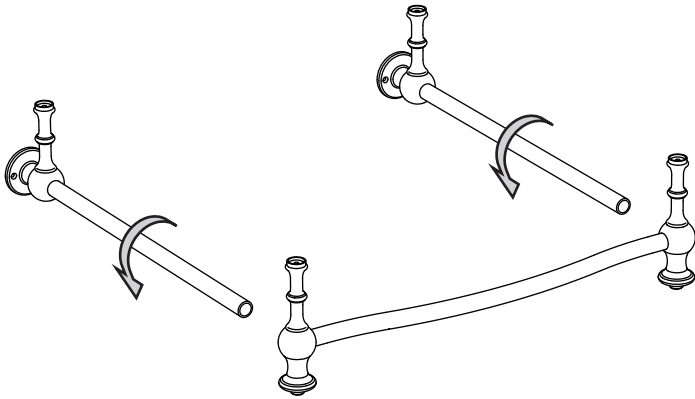


Spirit level

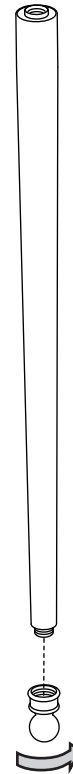
1 Installation - basin stand

Please make sure you have the correct basin suitable for the basin legs, US-B15 is recommended.

2 Attach the two horizontal rails to the front rail.

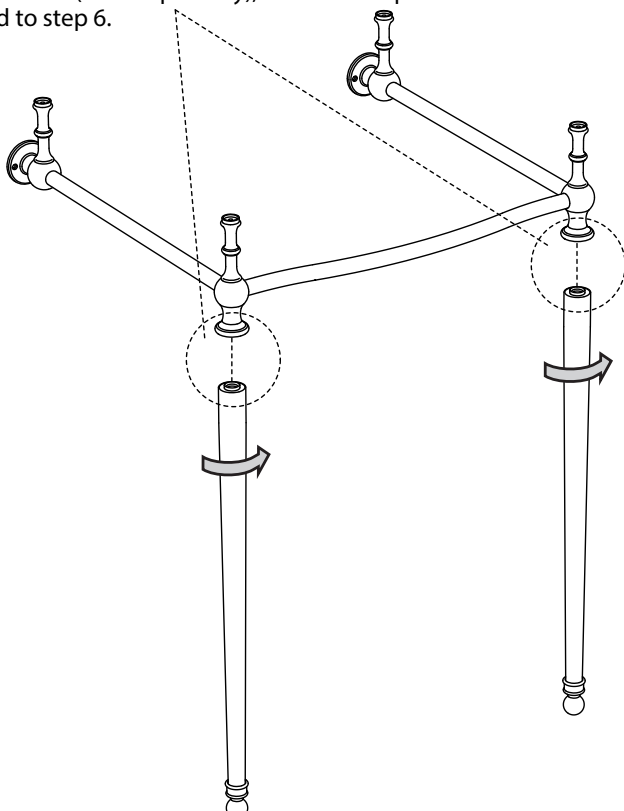


3 Attach both feet to the legs.

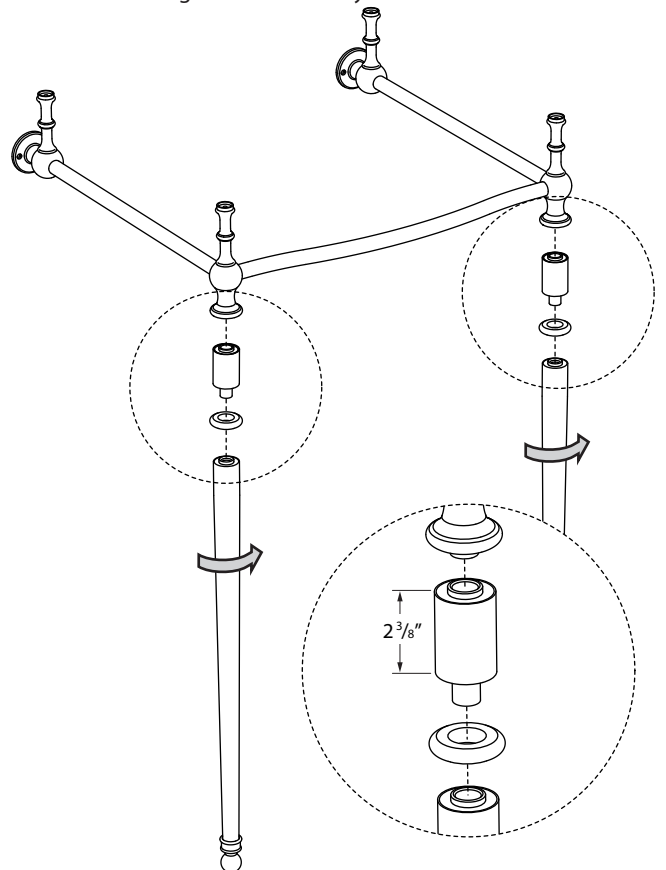


4 Screw the legs into the rail.

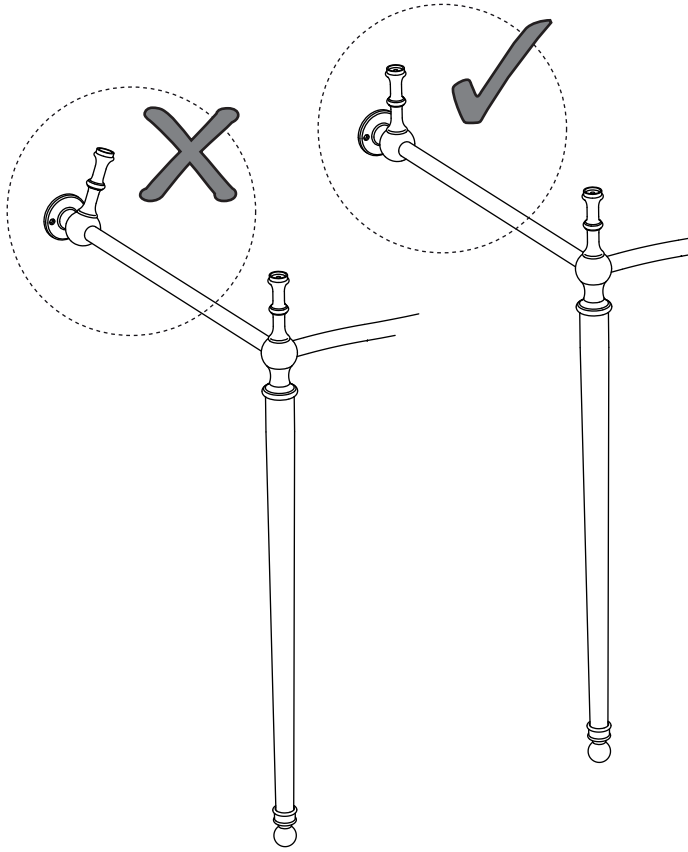
NOTE: At this stage, if you are using the US-T49 basin stand extension kit (sold separately), refer to step 5 and then proceed to step 6.



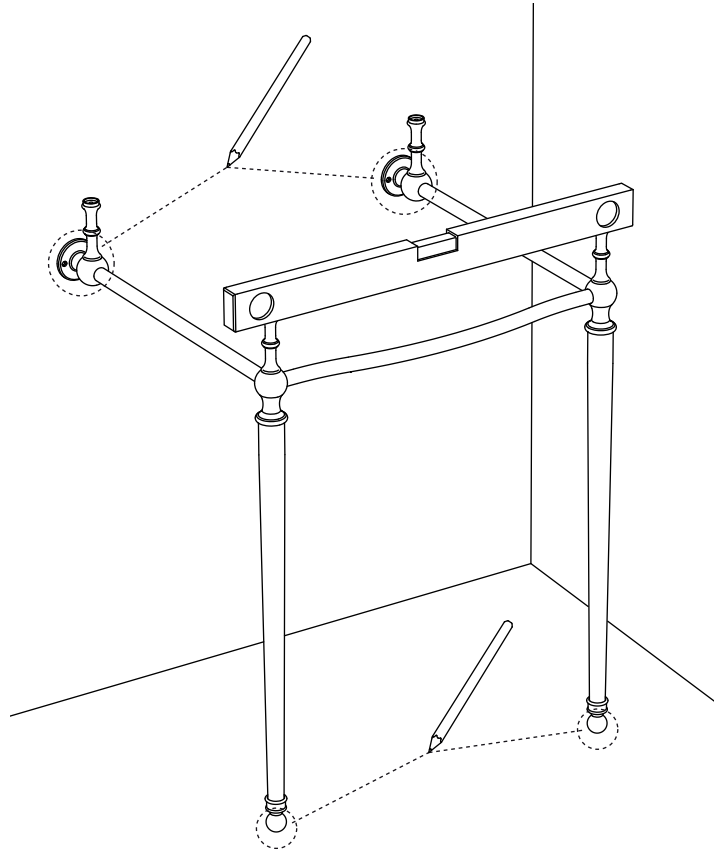
5 If the US-T49 basin stand extension kit is being installed, please refer to the illustration shown below. The kit will raise the final height of the basin by 2-3/8".



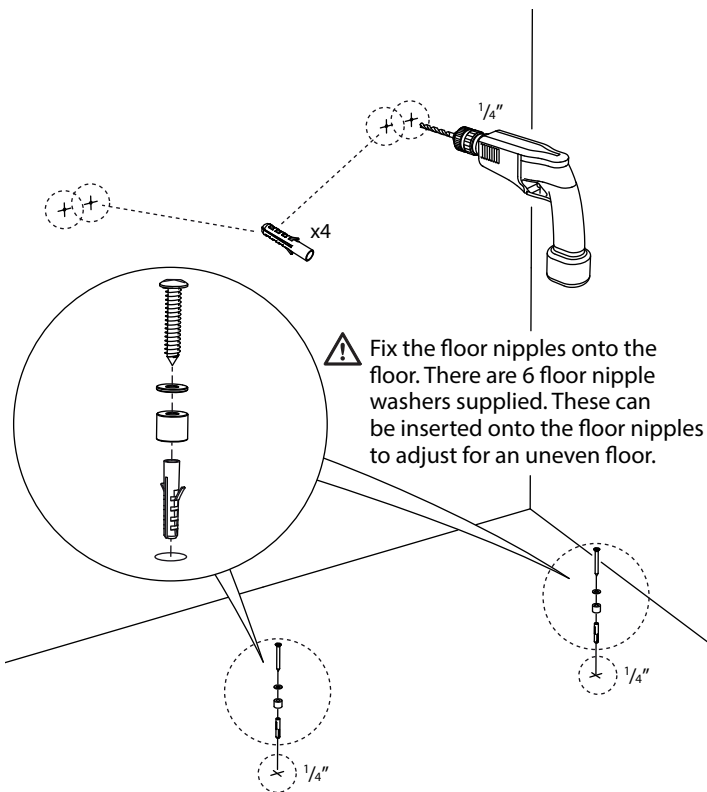
6 Check that the horizontal bracket bar is vertical using a spirit level.



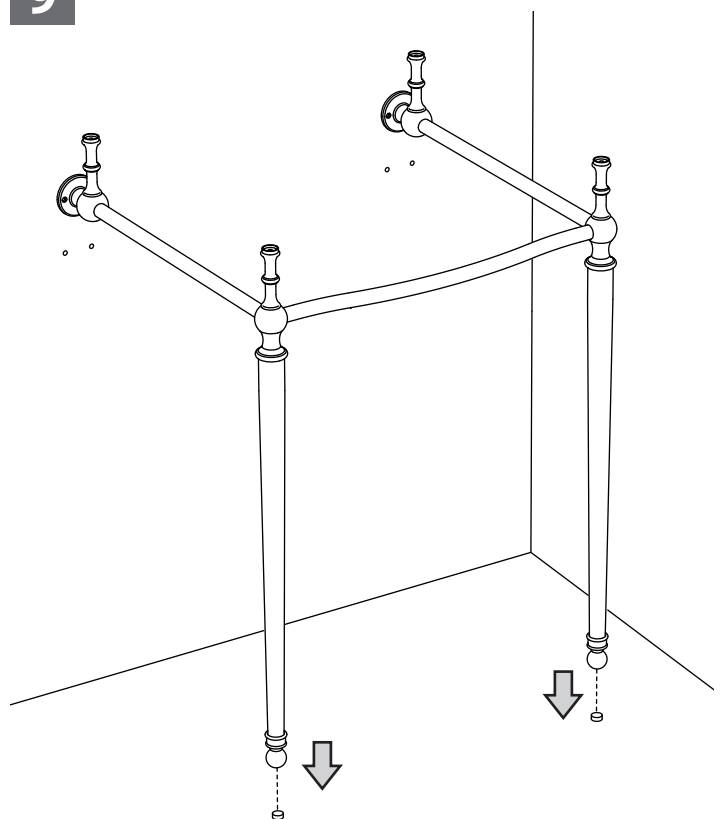
7 Determine the final installation position and mark the 4 wall and two floor fixing hole positions in pencil. Please make sure to include the floor nipples (and washers if necessary) when determining the installation position because the stand may elevate after the floor nipples are fitted.



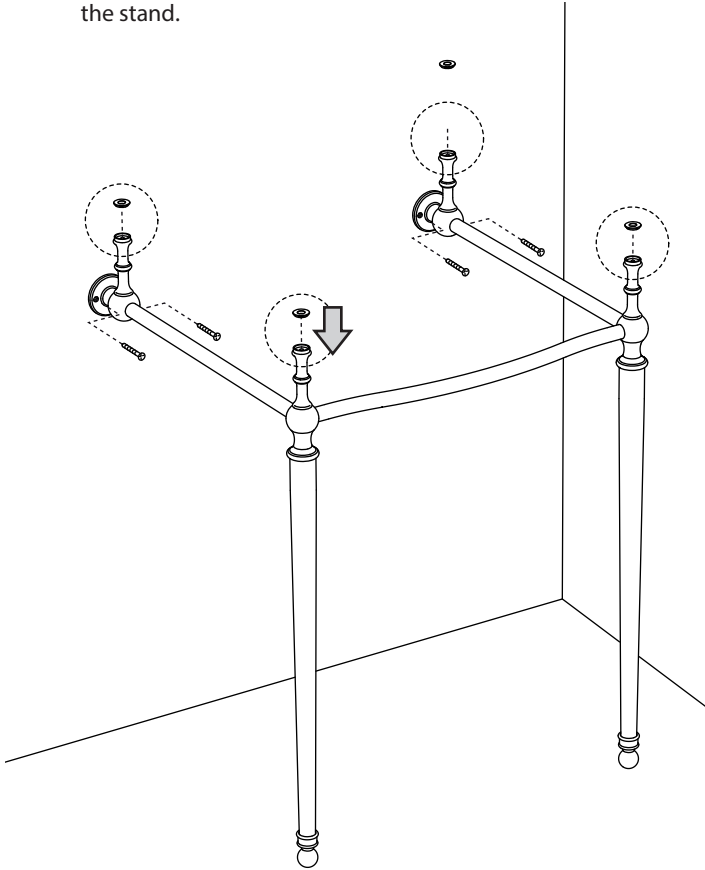
8 Using a 1/4" drill bit, drill the six holes on the marked positions.



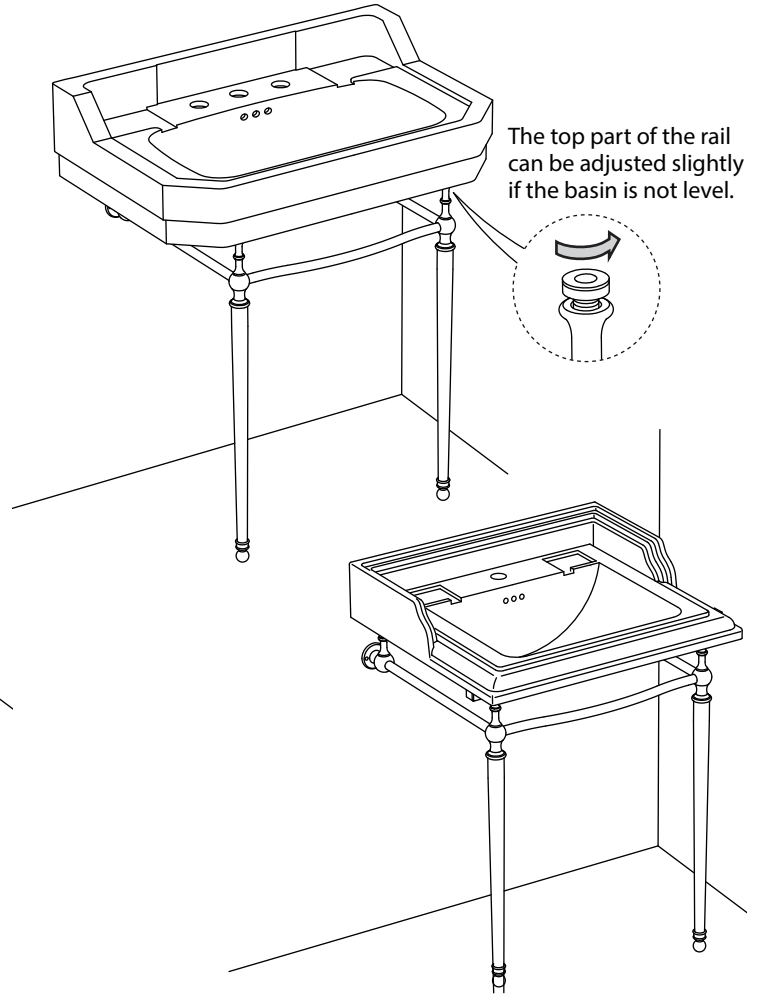
9 Fit the two legs over the floor nipples.



- 10** Fix each of the two brackets onto the wall. Ensure that the screw heads are parallel to the floor. Place 4 rubber washers into the 4 recesses as shown. Note: We recommend that the 4 rubber washers are not to be used if installing a marble basin on to the stand.



- 11** Place the basin in position ensuring that it is level. The basin must be fixed to the wall at the rear using appropriate wall fixing screws. For a marble basin, please refer to installation instructions that come with the basin.



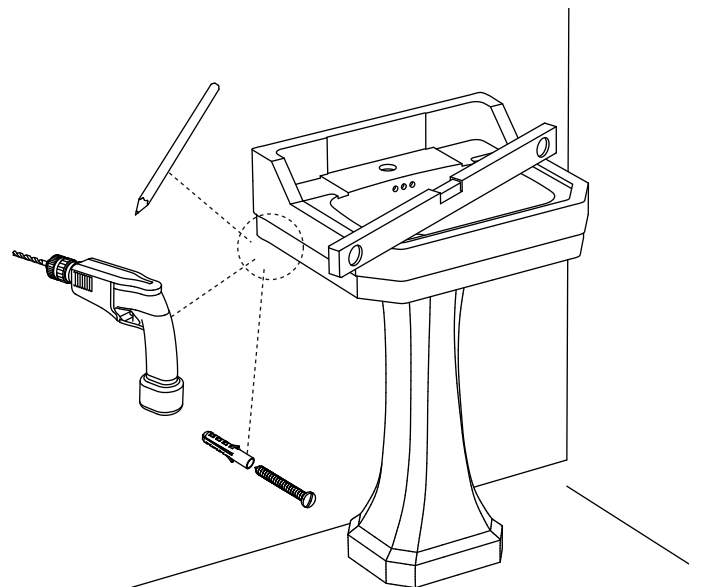
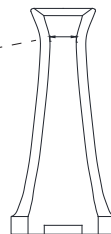
1 Installation - pedestal

- Place the basin in position, against the wall and sitting on top of the pedestal.
- Ensure that the basin is level and then mark the required fixing hole locations on the wall, then proceed to drill.
- Using appropriate fixings, attach the basin to the wall securely.

2 Installation

- The pedestal under the basin is for decoration only and is not designed to support the weight of the basin.

Length and width dimensions are measured at the narrowest part of the opening:
L 4-1/2", W 3", H 25-3/4"



3 Cleaning Instructions

A simple routine of regular care will keep your vitreous china and fireclay products clean and fresh.

Rinse away any traces of soap and gently dry with a clean soft cloth after each use. A mild detergent, warm water and a soft cloth will remove normal dirt and soap accumulations from surfaces. Soft abrasive cleaners may be used on vitreous china and fireclay. Never use abrasive cleaners without water. Do not use caustic cleaners or disinfectants as they can alter the surface finish and void the warranty.

Do not allow certain materials such as toothpaste, cologne, shaving cream, nail polish remover, vinegar, wine, drain and glass cleaners to remain on the surface. Prolonged contact can alter surface finishes and void the warranty.

Warranty - This **Crosswater London** product is covered by a limited lifetime warranty. For full details, terms and conditions please visit our website.

For further information contact: **Crosswater London**, 393 Fortune Blvd., Milford, MA 01757

www.crosswaterlondon.com

Toll free number: 844-XWATER-1 (844-992-8371) tel: 508-381-0433 fax: 508-381-6068

email: technical@crosswaterlondon.com