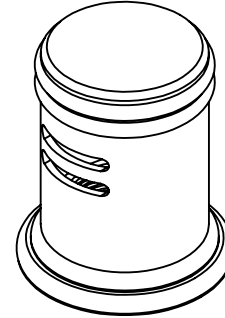




9600-K10

Features

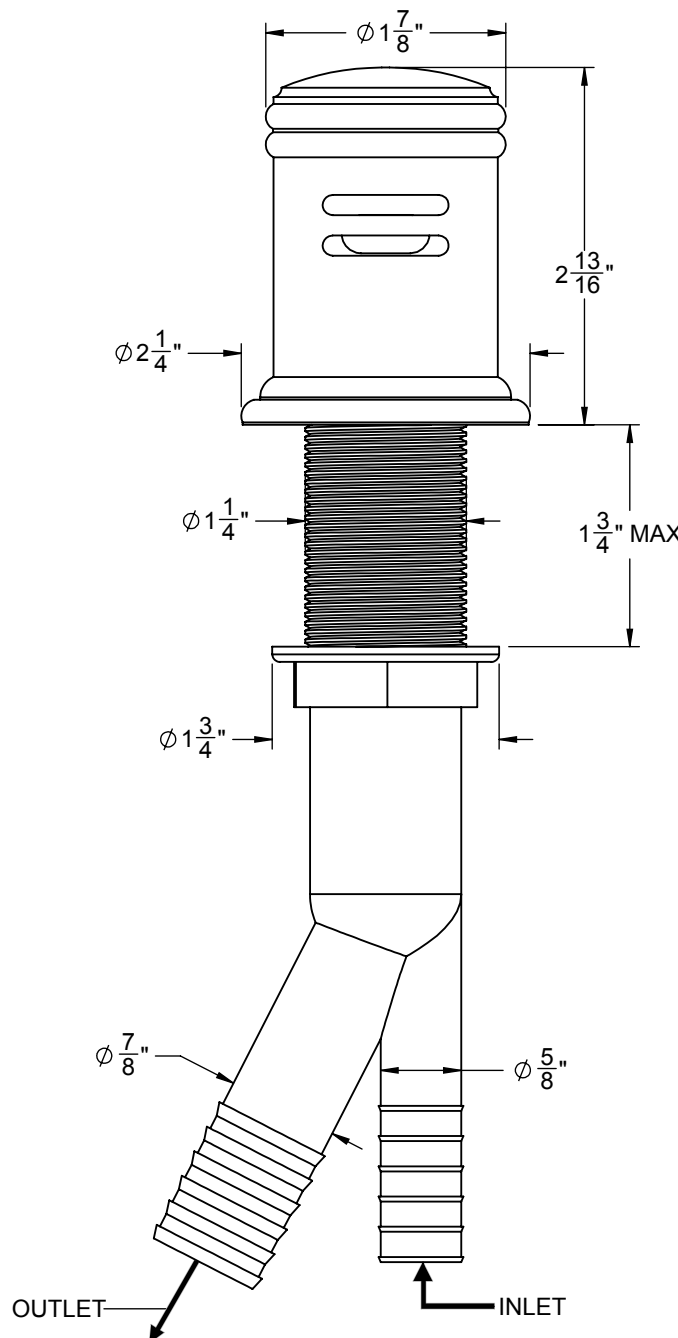
- Solid brass construction trim
- Includes air gap rough
- Over 30 finishes including 15 PVD finishes



Codes/Standards Applicable

Meets or exceeds the following at date of manufacture:

- IAPMO PS 023-2006a



THROUGH-HOLE SPECIFICATIONS		
MIN	RECOMENDED	MAX
$\phi 1-1/4"$	$\phi 1-3/8"$	$\phi 1-9/16"$

ALL DIMENSIONS SHOWN TO NEAREST 1/16"