



California Faucets®

# Steampunk Bay™

DECK MOUNT TUB FILLER WITH HANDSHOWER

## Features

- All brass construction
- Over 28 finishes including 13 PVD finishes
- Tub filler Maximum flow rate: 15 gpm (58.6 L/min) at 60 psi
- Handshower flow rate: 2.0 gpm (7.6L/min) or 1.8 gpm (6.8 L/min)
- Handshower bracket may be placed on COLD or HOT side of body
- 1/4 turn ceramic disc cartridges
- Replace .FR with desired max flow rate:  
8508X-ETD.20 for 2.0 gpm  
8508X-ETD.18 for 1.8 gpm

## Codes/Standards

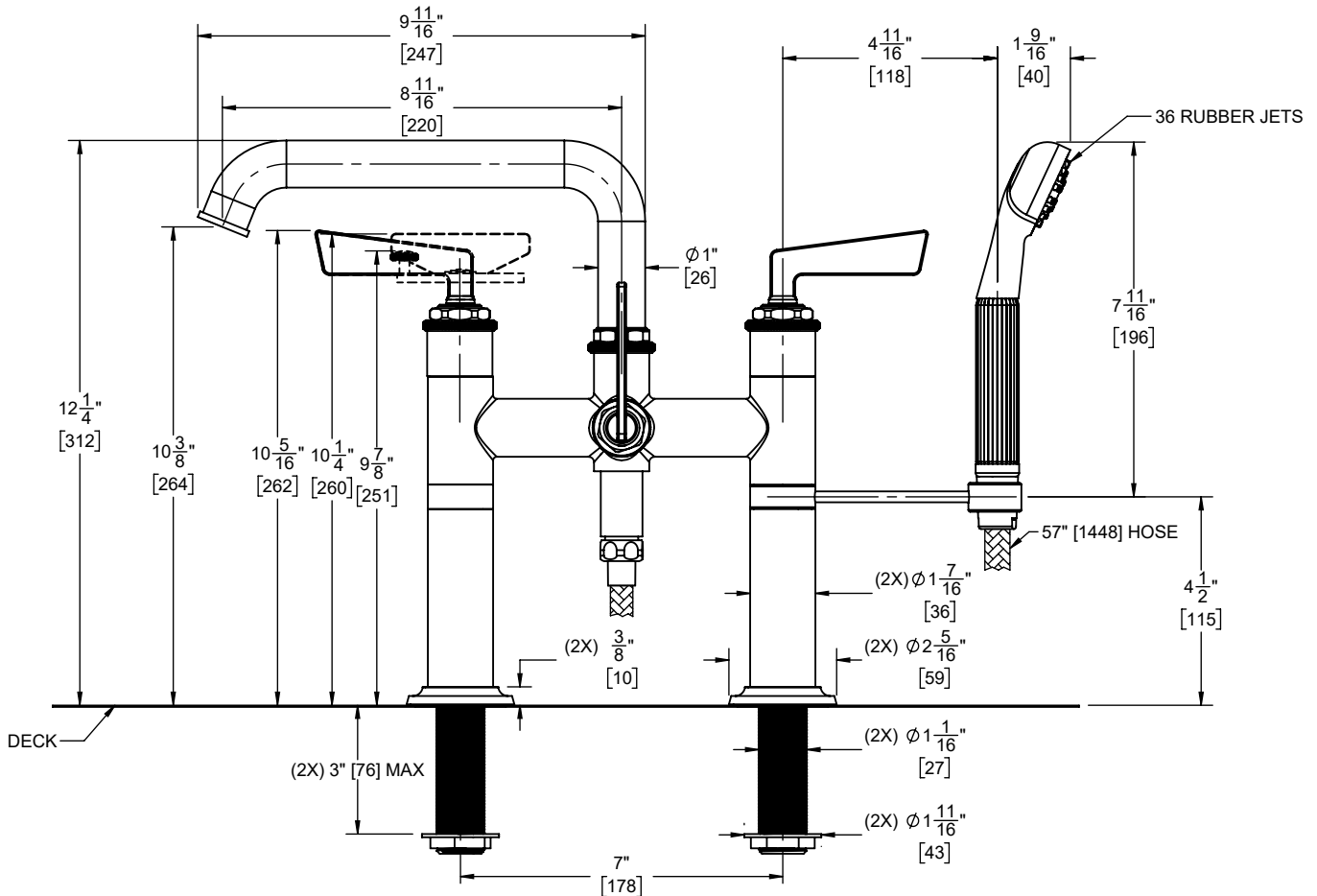
Product meets or exceeds the following:

- ASME A112.18.1/CSA B125.1
- CEC (1.8 gpm) / DOE (2.0 & 1.8 gpm)
- Commonwealth of MA
- EPA WaterSense (2.0 gpm)
- ADA compliant (with lever handles)
- Local codes may require installation of an upstream tempering valve

8508W-ETD.20  
8508W-ETD.18  
8508B-ETD.20  
8508B-ETD.18  
8508-ETD.20  
8508-ETD.18



8508-ETD.18 SHOWN



THROUGH-HOLE SPECIFICATIONS		
MIN	RECOMMENDED	MAX
Ø 1-1/16" [27]	Ø 1-5/16" [33]	Ø 1-3/8" [35]

ALL DIMENSIONS SHOWN TO NEAREST 1/16" [ALL DIMENSIONS SHOWN TO NEAREST 1MM]

SPECIFICATIONS SUBJECT TO CHANGE WITHOUT NOTICE