

**LAILA
ABOVE COUNTER
SANDSTONE BASIN**

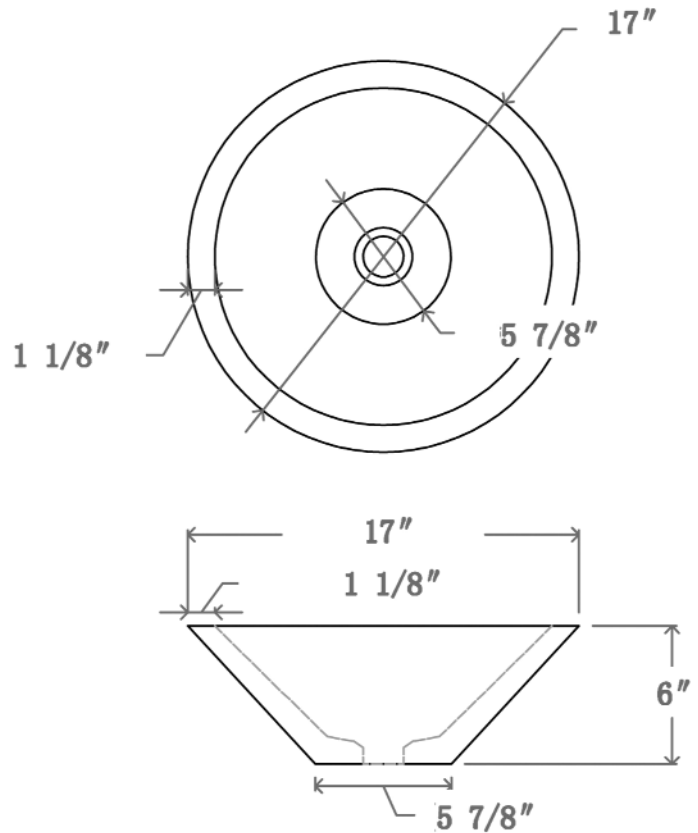
Cat. No
7-732



Overall Diameter: 17"
Height: 6"

Features:

- ▶ Constructed of natural Sandstone
- ▶ Smooth surface
- ▶ Rim 1-1/4"
- ▶ No faucet hole
- ▶ No overflow
- ▶ Accommodates drain 1-1/2"
- ▶ For use with grid drain #5601 or umbrella drain #UD701 (NOT INCLUDED)



Interior Dimensions

Basin Interior Diameter: 14-1/2"
Basin depth: 4-1/2"

Dimensions of fixture are nominal and may vary within the range of tolerances established by ASME Standard A112.19.2. Dimensions and specifications subject to change without notice.