

MOLLY 16" WALL HUNG BASIN

Cat. No
4-1132



Faucet not included



Mounting hardware

W: 16-7/8"
D: 11-1/8"
H: 5-3/4"

Water depth 2-1/8" to overflow

Interior Dimensions:

Basin Interior:	13-1/2" x 8-5/8"
Basin Depth:	3-7/8"
Back of basin to center of faucet:	2"
Back of basin to center of drain:	5-1/2"
Mount holes cc:	10-1/8"
Faucet hole diameter:	1-3/8"

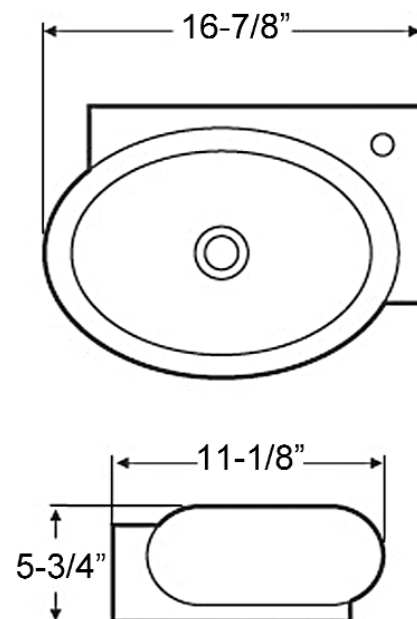
Features:

- ▶ Wall hung basin
- ▶ Made of Vitreous China
- ▶ Pre-drilled with 1-3/8" single faucet hole
- ▶ Pre-drilled overflow
- ▶ Chrome decorative overflow cover included
- ▶ Mounting hardware included
- ▶ Drain not provided

Colors

WH White

Meets or exceeds the following specifications: ASME A112.19.2 2018 and CSA B45.1-18 for ceramic plumbing fixtures.



Dimensions of fixture are nominal and may vary within the range of tolerances established by ASME Standard A112.19.2.2018. Dimensions and specifications subject to change without notice.