

**VINCENT  
71" ACRYLIC  
RECTANGULAR TUB**

Cat. No.  
ATREC71IG-XX



Filler not included

L: 70-5/8"  
W: 33-1/4"  
H: 22-7/8"

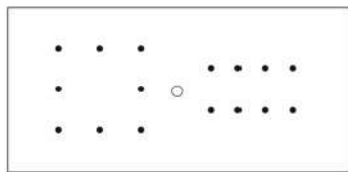
Water depth: 17-1/2" to top of tub  
Water depth: 15-1/8" to overflow  
Overflow slot length: 3"  
Center drain to back of rim: 15-1/2"  
Bottom of drain to floor: 3-1/2"  
Bathing well to floor: 4-3/4"

**The following is recommended for ATREC71-WH tubs:**  
•Faucets: part #7901 or 7913

Gallon Capacity: 74  
Shipping Weight: 197 lbs.  
Empty Weight: 97 lbs.  
Filled Weight: 715 lbs.



For easier installation we recommend use of 5598-ITD Easy Install Rough In Kit



(Air jet configuration if system is added, more info on page 2.)

**Features:**

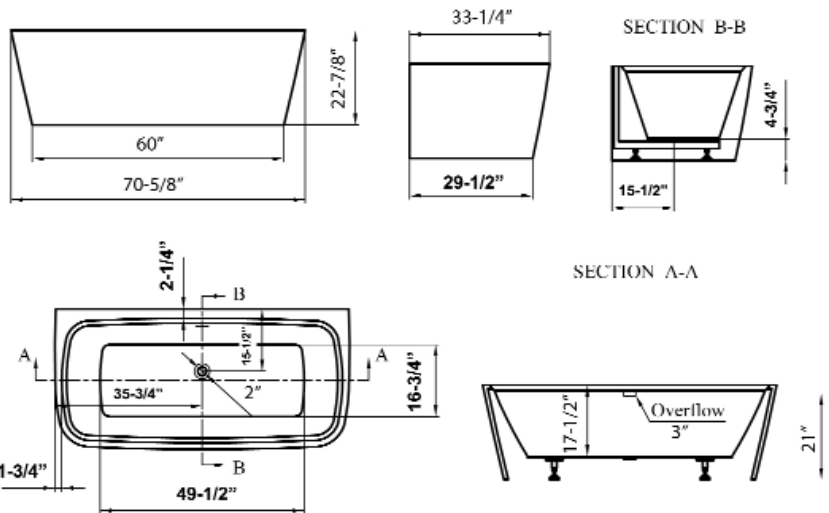
- ▶ Acrylic construction for lighter weight
- ▶ Tub is completely opened from behind
- ▶ Tub fits flush against the wall
- ▶ Drain and overflow covers included (available in 7 finishes)
- ▶ Overflow slot with integrated drain
- ▶ Drain included
- ▶ Rim measurement: 1-1/2"
- ▶ No faucet holes
- ▶ Angle slope of tub: 29°
- ▶ Includes built-in adjusters
- ▶ Tub is thoroughly inspected before shipment
- ▶ IAPMO Certified
- ▶ Option to add insulation between tub walls available
- ▶ **New:** Air jet system now available, more info on page 2



**Finishes:**

- CP** Polished Chrome
- BN** Brushed Nickel
- ORB** Oil Rubbed Bronze
- PB** Polished Brass
- PN** Polished Nickel
- WT** White
- MB** Matte Black

**Custom Colors Available** (inside of tub is always white enamel):  
Painted bathtubs are considered "special order" and are not returnable  
\$160 Bisque or Black \$250 Designer Color



Dimensions of fixture are nominal and specifications subject to change without notice.

# BATHTUB AIR JET KIT

Cat. No.  
AIR KIT 1, AIR KIT 2



- A** AIR JET - Bottom air jets for maximum bubble action.
- B** BLOWER - The heart of the massage system.
- C** MANIFOLD - Double back flow security prevention device.
- D** FLEXIBLE PVC HOISING - IAPMO certified.
- E** MAIN AIR INTAKE HOSE - High temperature and pressure resistant.

## Features:

- ▶ 750 Watt blower motor operates system
- ▶ 300 Watt air heater warms air
- ▶ System powered by 120V
- ▶ 16 brass air jets placed in bottom of tub
- ▶ Each air jet has 24 holes
- ▶ Air jet caps available in white (AIR KIT 1) or black (AIR KIT 2)
- ▶ Includes 1 1/4" x 3' main air hose plus 1 1/4" x 9' extension hose
- ▶ Automatic system purge after each use
- ▶ Automatic safety timer turns off system after 20 minutes
- ▶ Includes water tight remote control
- ▶ Compatible with most acrylic, copper and resin tubs with no feet
- ▶ Not available with cast iron tubs or tubs with feet

**Air Kit is installed in tub before shipment**

## INSIDE TUB VIEW - WILL VARY BY TUB DESIGN

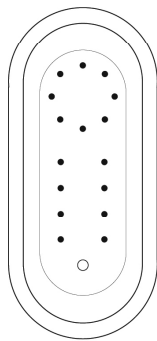


Air Jet



Remote

**Oval bathtub**  
Sample jet configuration



with end drain



with center drain

**Rectangular bathtub**  
Sample jet configuration

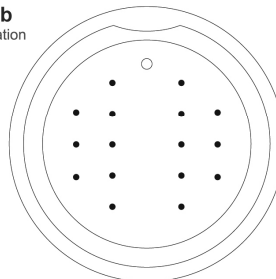


with end drain



with center drain

**Round bathtub**  
Sample jet configuration



These diagrams are general representations.  
Jet placement may vary dependent on tub shape

### Features:

(16) Maxi Air Jets



Elbows for air jets



Tees for air jets