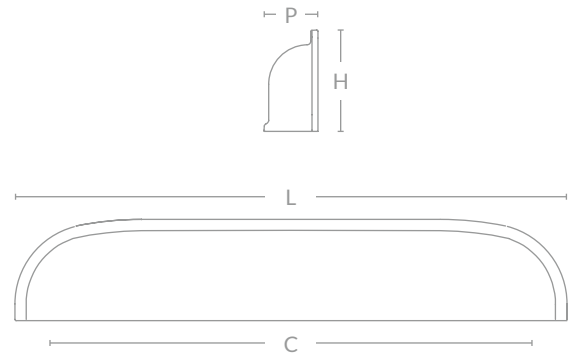


Withenshaw Pull Handle



Knob Code	Length (L)	Centres (C)	Projection (P)	Height (H)
WIT/96	127mm	96mm	22mm	41mm
WIT/192	224mm	192mm	22mm	41mm



Available in all Armac Martin finishes, & supplied with M4 breakoff screws.
 Please see: www.armacmartin.co.uk/pages/our-finishes for further details.